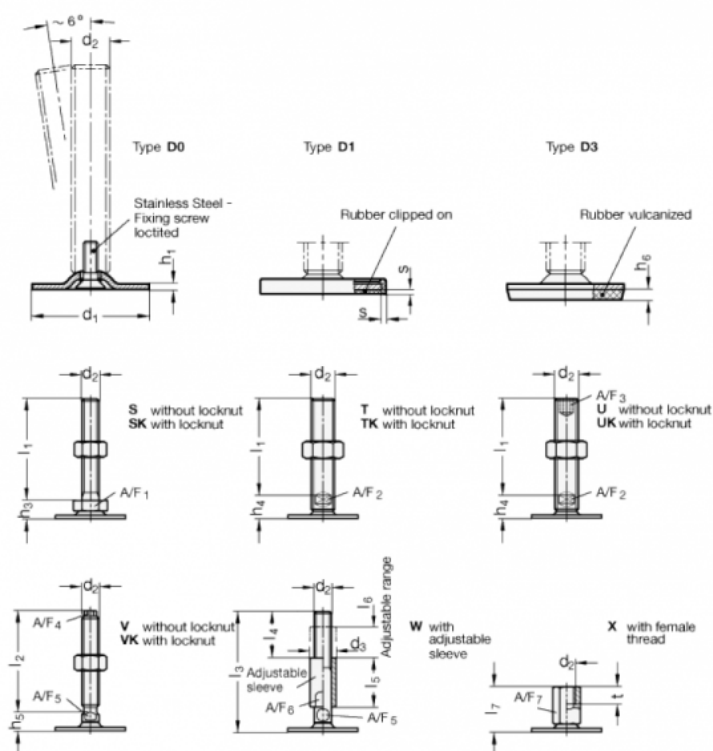


Article number: 204140M16100D1T  
 Description: E+G levelling foot  
 GN 41-40-M16-100-D1-T  
 Note: T Without nut, Wrench flat at the bottom

## Measures



A/F2 = 12  
 d1 = 40  
 d2 = M16  
 h1 = 2  
 h4 = 17  
 h6 =  
 l1 = 100  
 s = 1.5